

# MAJESTIC

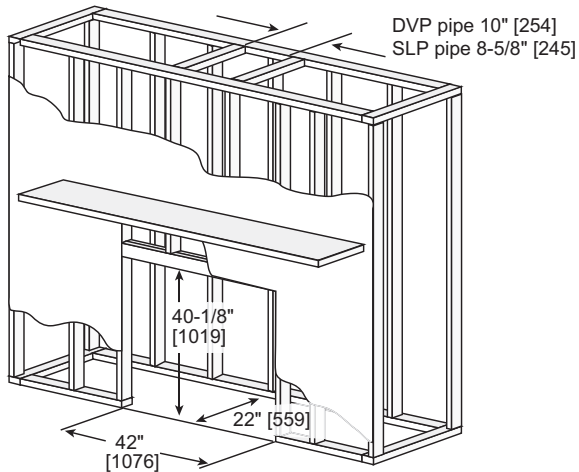
## Meridian Modern

36" Direct Vent Gas Fireplace

Scan QR code for installation manual for final dimensions and requirements.



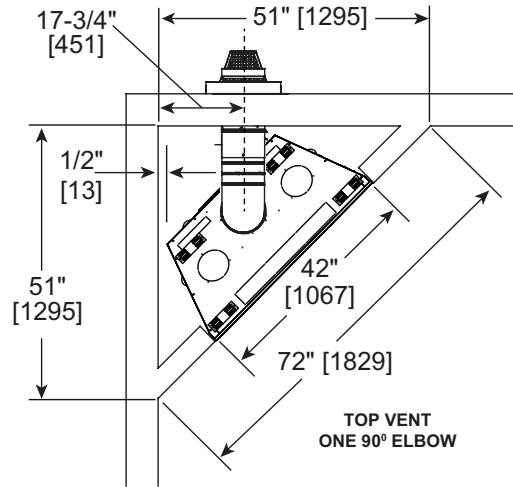
FRAMING DIMENSIONS	FRONT WIDTH	HEIGHT	DEPTH	WEIGHT
	42" [1067]	40-1/8" [1019]	22" [559]	163lbs [74KGs]



Adjust framing dimensions for interior chase sheathing (such as sheetrock)

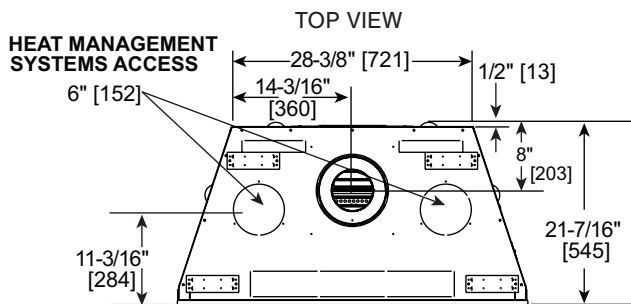
### BASIC CORNER INSTALLATION

Reference install manual for additional venting scenarios

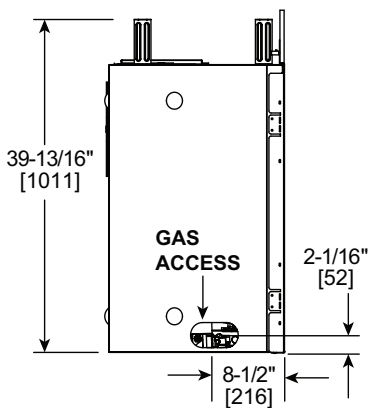


TOP VENT  
ONE 90° ELBOW

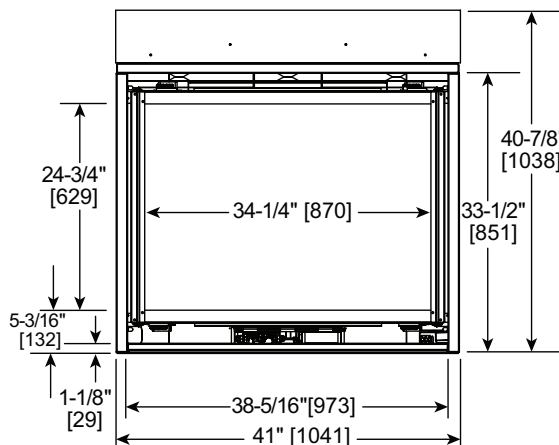
ACTUAL DIMENSIONS	FRONT WIDTH	HEIGHT	DEPTH	GLASS SIZE	BTU/HOUR INPUT
	41" [1041]	40-7/8" [1038]	21-7/16" [545]	24-3/4" x 34-1/4" [629 X 870]	17,000 - 34,000 BTUs (NG)



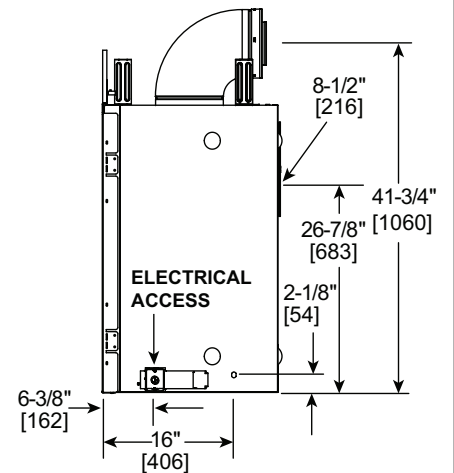
### LEFT SIDE



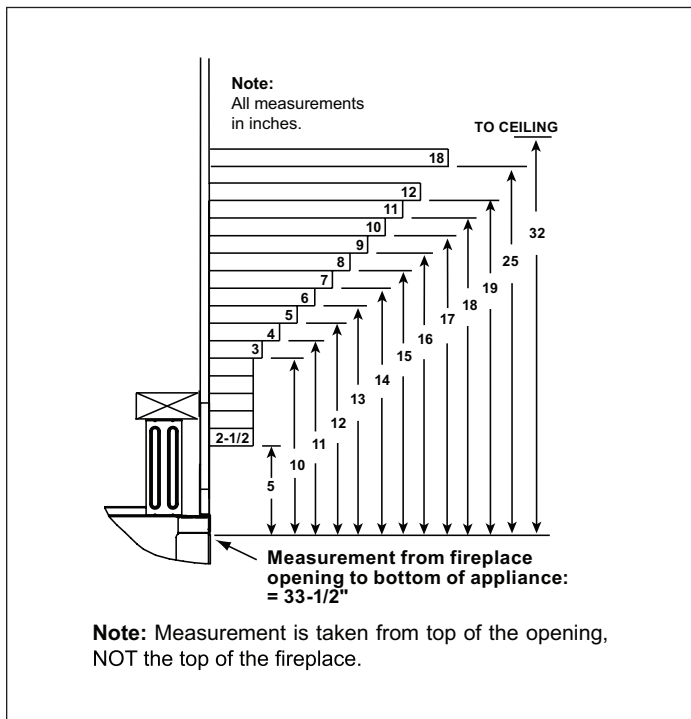
### FRONT VIEW



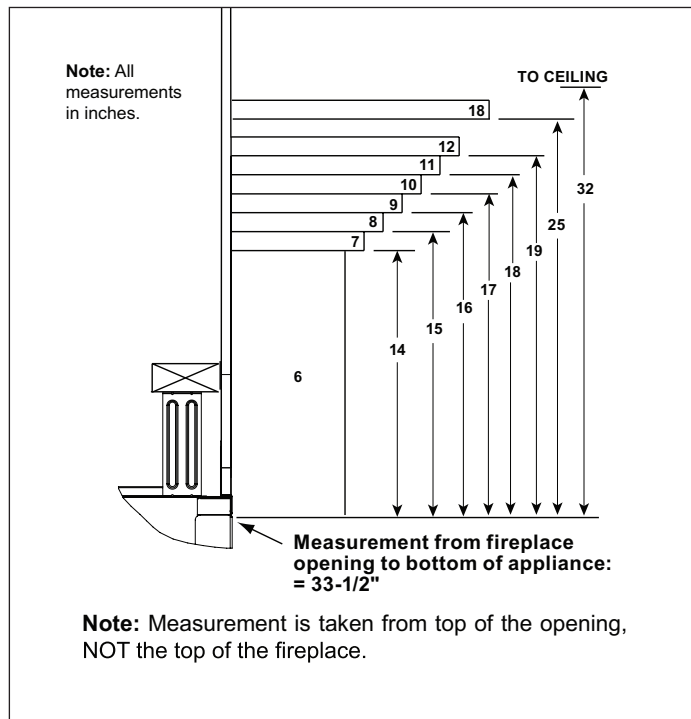
### RIGHT SIDE



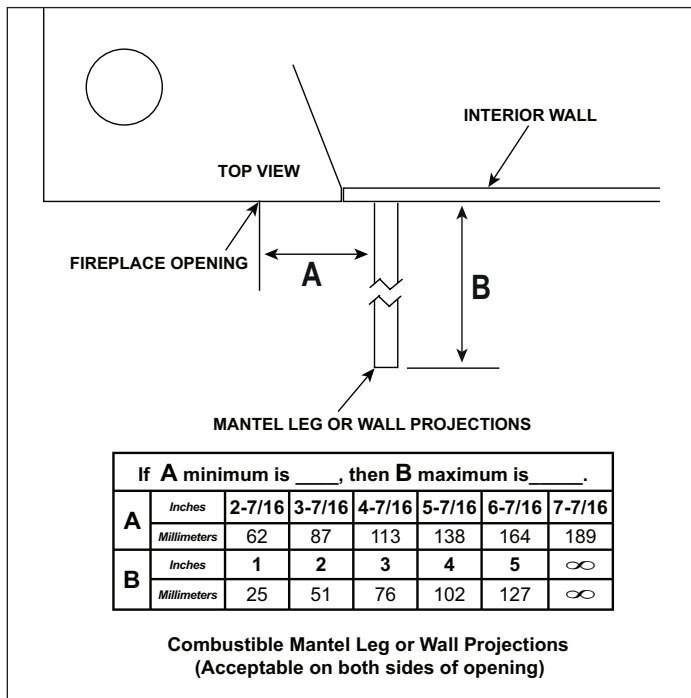
COMBUSTIBLE MANTEL PROJECTIONS



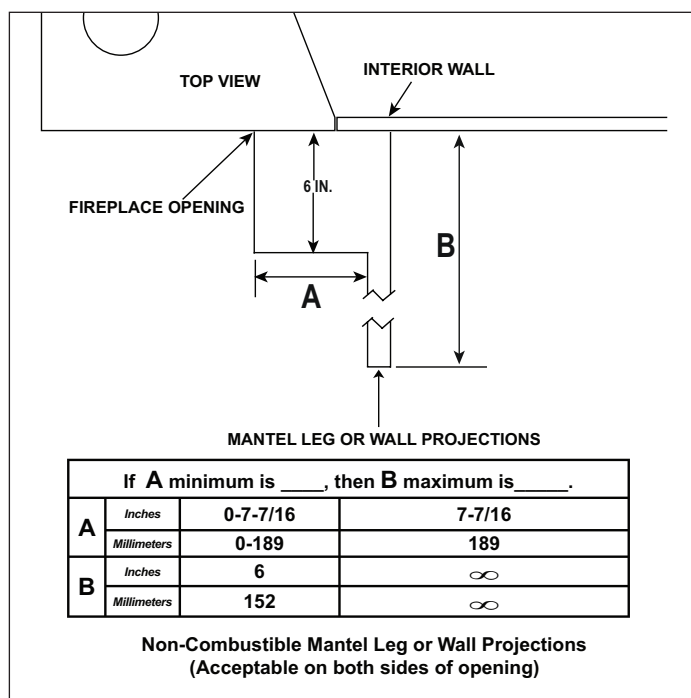
NON-COMBUSTIBLE MANTEL PROJECTIONS



COMBUSTIBLE MANTEL LEGS OR WALL PROJECTIONS

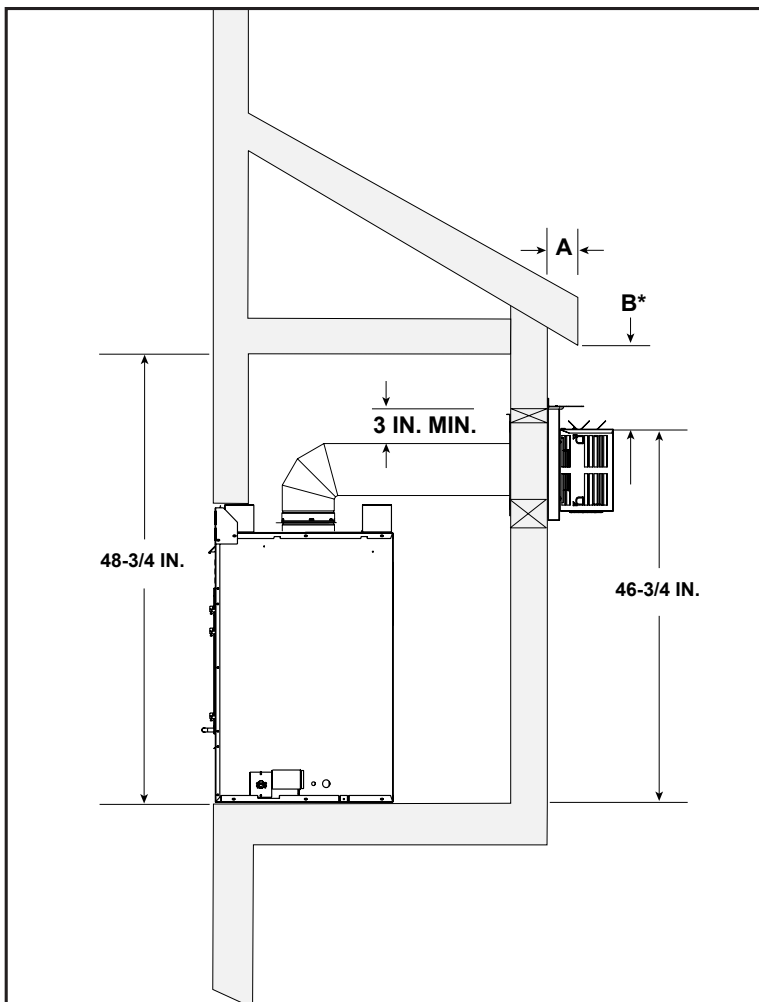


NON-COMBUSTIBLE MANTEL LEGS OR WALL PROJECTIONS



If using heat management please refer to the fireplace installation manual for framing guidelines and reduced mantel clearances. Additional information on venting, TV clearances, finishing requirements, fronts, etc can be found in the installation and owner's manual

EXTERIOR CHASE MINIMUM HEIGHT REQUIREMENTS



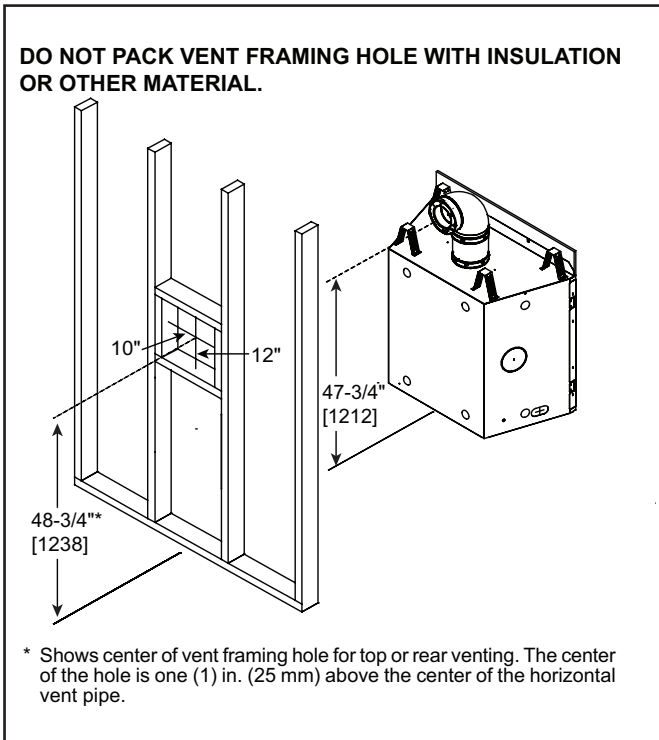
\* NOTE: If overhang is less than 2 inches, clearance from top of termination cap to bottom of overhang may be 0 inches.


- A - Measured from back of vent cap to end of overhang
- B - Measured from bottom of overhang to top of termination cap
  - 18 IN. Ventilated or Unventilated Soffit
  - 30 IN. Vinyl Soffit

**Vinyl Siding Shield (TRAP-VSS) Information**  
**TRAP-VSS required** if overhang (A) is greater than 3 inches but less than 5 inches and B dimension is less than 18 inches.

**TRAP-VSS recommended** if either of the below is true:  
 - Overhang (A) is less than 5 inches (to combat water infiltration)  
 - A vinyl overhang is present

WALL PENETRATION



PRODUCT LISTING CODES	
US	ANSI Z21.88-2019
CAN	CSA 2.33-2019
 US LISTED	UL307B

Product information provided is not complete and is subject to change without notice. Product installation must adhere strictly to instructions accompanying product to avoid risk of fire and potential injury.

Additional information can be found online at [www.majesticproducts.com](http://www.majesticproducts.com)